

OPERATING AND SERVICE MANUAL

MODEL 6200B

DC POWER SUPPLY

MANUFACTURING CODE 6A

OPERATING AND SERVICE MANUAL

**HEWLETT
PACKARD**  **HARRISON
DIVISION**

OPERATING AND SERVICE MANUAL

MODEL 6200B

DC POWER SUPPLY

MANUFACTURING CODE 6A

January, 1966

SECTION VI
REPLACEABLE PARTS

6-1 INTRODUCTION

6-2 This section contains information for ordering replacement parts.

6-3 Table 6-1 lists parts in the alpha-numerical order of the circuit designators and provides the following information:

- A. Description (See list of abbreviations below).
- B. Total quantity used in the instrument.
- C. Manufacturer's part number.
- D. The Manufacturer's code number as listed in the Federal Supply Code for Manufacturers H4-1.
- E. The H-P Stock Number.
- F. The recommended spare parts quantity for complete maintenance during one year of isolated service. (Column A).

6-4 ORDERING INFORMATION

6-5 To order a replacement part, address order or inquiry to your local Hewlett-Packard field office (see lists at rear of this manual for addresses).

6-6 Specify the following information for each part:

- A. Model and complete serial number of instrument.
- B. Hewlett-Packard stock number.
- C. Circuit reference designator.
- D. Description.

6-7 To order a part not listed in the tables, give a complete description of the part and include its function and location.

Reference Designators

A	= assembly	K	= relay	T	= transformer
B	= motor	L	= inductor	V	= vacuum tube, neon blub, photocell, etc.
C	= capacitor	M	= meter	X	= socket
CR	= diode	P	= plug	XF	= fuseholder
DS	= device signaling (lamp)	Q	= transistor	XDS	= lampholder
E	= misc. electronic part	R	= resistor	Z	= network
F	= fuse	RT	= thermistor		
J	= jack	S	= switch		

ABBREVIATIONS

a	= amperes	K	= kilo = 1000
c	= carbon	obd	= order by description
cer	= ceramic	p	= peak
coef	= coefficient	pc	= printed circuit board
com	= common	pf	= picofarads = 10^{-12} farads
comp	= composition	pp	= peak-to-peak
conn	= connection	ppm	= parts per million
crt	= cathode-ray tube	pos	= position (s)
dep	= deposited	poly	= polystyrene
elect	= electrolytic	pot	= potentiometer
encap	= encapsulated	prv	= peak reverse voltage
f	= farads	rect	= rectifier
fxd	= fixed	rot	= rotary
GE	= germanium	rms	= root-mean-square
grd	= ground (ed)	s-b	= slow-blow
h	= henries	sect	= section (s)
Hg	= mercury	Si	= silicon
imp	= impregnated	sil	= silver
ins	= insulation (ed)	sl	= slide
lin	= linear taper	td	= time delay
log	= logarithmic taper	TiO ₂	= titanium dioxide
m	= milli = 10^{-3}	tog	= toggle
M	= megohms	tol	= tolerance
ma	= milliamperes	trim	= trimmer
μ	= micro = 10^{-6}	twt	= traveling wave tube
mfr	= manufacturer	var	= variable
mtg	= mounting	w/	= with
my	= mylar	W	= watts
NC	= normally closed	ww	= wirewound
Ne	= neon	w/o	= without
NO	= normally open	cmo	= cabinet mount only
nsr	= not separately replaceable		

6-8 CODE LIST OF MANUFACTURERS (Sheet 1 of 2)

The following code numbers are from the Federal Supply Code for Manufacturers Cataloging Handbooks H4-1 (Name to Code) and H4-2 (Code to Name) and their latest supplements. The date of revision and the date of the supplements used appear at the bottom of each page. Alphabetical codes have been arbitrarily assigned to suppliers not appearing in the H4 handbooks.

CODE NO.	MANUFACTURER	ADDRESS	CODE NO.	MANUFACTURER	ADDRESS	CODE NO.	MANUFACTURER	ADDRESS
00334	Humidial Co.	Colton, Calif.	07115	Corning Glass Works	Bradford, Pa.	40920	Miniature Precision Bearings, Inc.	Keene, N.H.
00335	Westrex Corp.	New York, N.Y.		Electronic Components Dept.		42190	Muter Co.	Chicago, Ill.
00373	Garlock Packing Co., Electronic Products Div.	Camden, N.J.	07126	Digitran Co.	Pasadena, Calif.	43990	C. A. Norgren Co.	Englewood, Colo.
00656	Aerovox Corp.	New Bedford, Mass.	07137	Transistor Electronics Corp.	Minneapolis, Minn.	44655	Ohmite Mfg. Co.	Skokie, Ill.
00779	Amp, Inc.	Harrisburg, Pa.	07138	Westinghouse Electric Corp. Electronic Tube Div.	Elmira, N.Y.	47904	Polaroid Corp.	Cambridge, Mass.
00781	Aircraft Radio Corp.	Boonton, N.J.	07261	Avnet Corp.	Los Angeles, Calif.	48620	Precision Thermometer and Inst. Co.	Philadelphia, Pa.
00815	Northern Engineering Laboratories, Inc.	Burlington, Wis.	07263	Fairchild Semiconductor Corp.	Mountain View, Calif.	49956	Raytheon Company	Lexington, Mass.
00853	Sangamo Electric Company, Ordill Division (Capacitors)	Marion, Ill.	07910	Continental Device Corp.	Hawthorne, Calif.	54294	Shallcross Mfg. Co.	Selma, N.C.
00866	Goe Engineering Co.	Los Angeles, Calif.	07933	Rheem Semiconductor Corp.	Mountain View, Calif.	55026	Simpson Electric Co.	Chicago, Ill.
00891	Carl E. Holmes Corp.	Los Angeles, Calif.	07966	Shockley Semi-Conductor Laboratories	Palo Alto, Calif.	55933	Sonotone Corp.	Elmsford, N.Y.
01121	Allan Bradley Co.	Milwaukee, Wis.	07980	Boonton Radio Corp.	Boonton, N.J.	55938	Sorenson & Co., Inc.	So. Norwalk, Conn.
01255	Liton Industries, Inc.	Beverly Hills, Calif.	08145	U.S. Engineering Co.	Los Angeles, Calif.	56137	Spaulding Fibre Co., Inc.	Tonawanda, N.Y.
01281	Pacific Semiconductors, Inc.	Culver City, Calif.	08358	Burgess Battery Co.	Niagara Falls, Ontario, Canada	56289	Sprague Electric Co.	North Adams, Mass.
01295	Texas Instruments, Inc. Transistor Products Div.	Dallas, Texas	08717	Sloan Company	Burbank, Calif.	59446	Telex, Inc.	St. Paul, Minn.
01349	The Alliance Mfg. Co.	Alliance, Ohio	08718	Cannon Electric Co. Phoenix Div.	Phoenix, Ariz.	61775	Union Switch and Signal, Div. of Westinghouse Air Brake Co.	Swissvale, Pa.
01561	Chassi-Trak Corp.	Indianapolis, Ind.	08792	CBS Electronics Semiconductor Operations, Div. of C.B.S. Inc.	Lowell, Mass.	62119	Universal Electric Co.	Owosso, Mich.
01589	Pacific Relays, Inc.	Van Nuys, Calif.	08994	Mal-Rain	Indianapolis, Ind.	64959	Western Electric Co., Inc.	New York, N.Y.
01930	Amerock Corp.	Rockford, Ill.	09026	Babcock Relays, Inc.	Costa Mesa, Calif.	65092	Weston Inst. Div. of Daystrom, Inc.	Newark, N.J.
01961	Pulse Engineering Co.	Santa Clara, Calif.	09134	Texas Capacitor Co.	Houston, Texas	66346	Wollensak Optical Co.	Rochester, N.Y.
02114	Ferroxcube Corp. of America	Saugerties, N.Y.	09250	Electro Assemblies, Inc.	Chicago, Ill.	70276	Allen Mfg. Co.	Hartford, Conn.
02286	Cole Mfg. Co.	Palo Alto, Calif.	09569	Mallory Battery Co. of Canada, Ltd.	Toronto, Ontario, Canada	70309	Allied Control Co., Inc.	New York, N.Y.
02660	Amphenol-Borg Electronics Corp.	Chicago, Ill.	10214	General Transistor Western Corp.	Los Angeles, Calif.	70485	Atlantic India Rubber Works, Inc.	Chicago, Ill.
02735	Radio Corp. of America Semiconductor and Materials Div.	Somerville, N.J.	10411	Ti-Tal, Inc.	Berkeley, Calif.	70563	Amperite Co., Inc.	New York, N.Y.
02771	Vocaline Co. of America, Inc.	Old Saybrook, Conn.	10646	Carborundum Co.	Niagara Falls, N.Y.	70903	Belden Mfg. Co.	Chicago, Ill.
02777	Hopkins Engineering Co.	San Fernando, Calif.	11236	CTS of Berne, Inc.	Berne, Ind.	70998	Bird Electronic Corp.	Cleveland, Ohio
03508	G.E. Semiconductor Products Dept.	Syracuse, N.Y.	11237	Chicago Telephone of California, Inc.	So. Pasadena, Calif.	71002	Birnbach Radio Co.	New York, N.Y.
03705	Apex Machine & Tool Co.	Dayton, Ohio	11312	Microwave Electronics Corp.	Palo Alto, Calif.	71041	Boston Gear Works Div. of Murray Co. of Texas	Quincy, Mass.
03797	Eldema Corp.	El Monte, Calif.	11534	Duncan Electronics, Inc.	Santa Ana, Calif.	71218	Bud Radio Inc.	Cleveland, Ohio
03877	Transitron Electronic Corp.	Wakefield, Mass.	11711	General Instrument Corporation Semiconductor Division	Newark, N.J.	71286	Camloc Fastener Corp.	Paramus, N.J.
03888	Pyrofilm Resistor Co.	Morristown, N.J.	11717	Imperial Electronics, Inc.	Buena Park, Calif.	71313	Allen D. Cardwell Electronic Prod. Corp.	Plainville, Conn.
03954	Air Marine Motors, Inc.	Los Angeles, Calif.	11870	Malabs, Inc.	Palo Alto, Calif.	71400	Bussmann Fuse Div. of McGraw- Edison Co.	St. Louis, Mo.
04009	Arrow, Hart and Hegeman Elect. Co.	Hartford, Conn.	12697	Clarostat Mfg. Co.	Dover, N.H.	71450	CTS Corp.	Elkhart, Ind.
04062	Elmenco Products Co.	New York, N.Y.	14655	Cornell Dubilier Elec. Corp.	So. Plainfield, N.J.	71468	Cannon Electric Co.	Los Angeles, Calif.
04222	Hi-Q Division of Aerovox	Myrtle Beach, S.C.	15909	The Daven Co.	Livingston, N.J.	71471	Cinema Engineering Co.	Burbank, Calif.
04298	Elgin National Watch Co., Electronics Division	Burbank, Calif.	16688	De Jur-Amsco Corporation	Long Island City 1, N.Y.	71482	C. P. Clare & Co.	Chicago, Ill.
04404	Dymec Division of Hewlett-Packard Co.	Palo Alto, Calif.	16758	Delco Radio Div. of G. M. Corp.	Kokomo, Ind.	71528	Standard-Thomson Corp., Clifford Mfg. Co. Div.	Waltham, Mass.
04651	Sylvania Electric Prods., Inc. Electronic Tube Div.	Mountain View, Calif.	18873	E. I. DuPont and Co., Inc.	Wilmington, Del.	71590	Centralab Div. of Globe Union Inc.	Milwaukee, Wis.
04713	Motorola, Inc., Semiconductor Prod. Div.	Phoenix, Arizona	19315	Eclipse Pioneer, Div. of Bendix Aviation Corp.	Teterboro, N.J.	71700	The Cornish Wire Co.	New York, N.Y.
04732	Filtron Co., Inc. Western Division	Culver City, Calif.	19500	Thomas A. Edison Industries, Div. of McGraw-Edison Co.	West Orange, N.J.	71744	Chicago Miniature Lamp Works	Chicago, Ill.
04773	Automatic Electric Co.	Northlake, Ill.	19701	Electra Manufacturing Co.	Kansas City, Mo.	71753	A. O. Smith Corp., Crowley Div.	West Orange, N.J.
04796	Sequoia Wire & Cable Company	Redwood City, Calif.	20183	Electronic Tube Corp.	Philadelphia, Pa.	71785	Cinch Mfg. Corp.	Chicago, Ill.
04870	P. M. Motor Co.	Chicago 44, Ill.	21520	Fansteel Metallurgical Corp.	No. Chicago, Ill.	71984	Dow Corning Corp.	Midland, Mich.
05006	Twentieth Century Plastics, Inc.	Los Angeles, Calif.	21335	The Fafnir Bearing Co.	New Britain, Conn.	72136	Electro Motive Mfg. Co., Inc.	Willimantic, Conn.
05277	Westinghouse Electric Corp., Semi-Conductor Dept.	Youngwood, Pa.	21964	Fed. Telephone and Radio Corp.	Clifton, N.J.	72354	John E. Fast & Co.	Chicago, Ill.
05347	Ultronix, Inc.	San Mateo, Calif.	24446	General Electric Co.	Schenectady, N.Y.	72619	Dialight Corp.	Brooklyn, N.Y.
05593	Illumintron Engineering Co.	Sunnyvale, Calif.	24455	G.E., Lamp Division	Nela Park, Cleveland, Ohio	72656	General Ceramics Corp.	Keasbey, N.J.
05624	Barber Colman Co.	Rockford, Ill.	24652	General Radio Co.	West Concord, Mass.	72758	Girard-Hopkins	Oakland, Calif.
05729	Metropolitan Telecommunications Corp., Metro Cap. Div.	Brooklyn, N.Y.	26992	Hamilton Watch Co.	Carlstadt, N.J.	72765	Drake Mfg. Co.	Chicago, Ill.
05783	Stewart Engineering Co.	Santa Cruz, Calif.	28480	Hewlett-Packard Co.	Palo Alto, Calif.	72825	Hugh H. Eby Inc.	Philadelphia, Pa.
06004	The Bessick Co.	Bridgeport, Conn.	33173	G.E. Receiving Tube Dept.	Owensboro, Ky.	72928	Gudeman Co.	Chicago, Ill.
06555	Beede Electrical Instrument Co., Inc.	Penacook, N.H.	35434	Lectrohm Inc.	Chicago, Ill.	72982	Erie Resistor Corp.	Erie, Pa.
06812	Torrington Mfg. Co., West Div.	Van Nuys, Calif.	37942	P. R. Mallory & Co., Inc.	Indianapolis, Ind.	73061	Hansen Mfg. Co., Inc.	Princeton, Ind.
			39543	Mechanical Industries Prod. Co.	Akron, Ohio	73138	Helipot Div. of Beckman Instruments, Inc.	Fullerton, Calif.

00015-25
Revised: 25 May 1962

From: F.S.C. Handbook Supplements
H4-1 Dated: April 1962
H4-2 Dated: March 1962

6-8 CODE LIST OF MANUFACTURERS (Sheet 2 of 2) CONT'D

CODE NO.	MANUFACTURER	ADDRESS	CODE NO.	MANUFACTURER	ADDRESS	CODE NO.	MANUFACTURER	ADDRESS
73743	Fischer Special Mfg. Co.	Cincinnati, Ohio	82389	Switchcraft, Inc.	Chicago, Ill.	95263	Leecraft Mfg. Co., Inc.	New York, N.Y.
73793	The General Industries Co.	Elyria, Ohio	82647	Metals and Controls, Inc., Div. of		95264	Lerco Electronics, Inc.	Burbank, Calif.
73905	Jennings Radio Mfg. Co.	San Jose, Calif.		Texas Instruments, Inc., Spencer Prods.	Attleboro, Mass.	95265	National Coil Co.	Sheridan, Wyo.
74455	J. H. Winns, and Sons	Winchester, Mass.	82866	Research Products Corp.	Madison, Wis.	95275	Vitramon, Inc.	Bridgeport, Conn.
74861	Industrial Condenser Corp.	Chicago, Ill.	82877	Rotron Manufacturing Co., Inc.	Woodstock, N.Y.	95354	Methode Mfg. Co.	Chicago, Ill.
74868	R.F. Products Division of Amphenol-Borg Electronics Corp.	Danbury, Conn.	82893	Vector Electronic Co.	Glendale, Calif.	95987	Weckesser Co.	Chicago, Ill.
74970	E. F. Johnson Co.	Waseca, Minn.	83053	Western Washer Mfr. Co.	Los Angeles, Calif.	96067	Huggins Laboratories	Sunnyvale, Calif.
75042	International Resistance Co.	Philadelphia, Pa.	83058	Carr Fastener Co.	Cambridge, Mass.	96095	Hi-Q Division of Aerovox	Olean, N.Y.
75173	Jones, Howard B., Division of Cinch Mfg. Corp.	Chicago, Ill.	83086	New Hampshire Ball Bearing, Inc.	Peterborough, N.H.	96256	Thordarson-Meissner Div. of Maguire Industries, Inc.	Mt. Carmel, Ill.
75378	James Knights Co.	Sandwich, Ill.	83125	Pyramid Electric Co.	Darlington, S.C.	96296	Solar Manufacturing Co.	Los Angeles, Calif.
75382	Kulka Electric Corporation	Mt. Vernon, N.Y.	83148	Electro Cords Co.	Los Angeles, Calif.	96330	Carlton Screw Co.	Chicago, Ill.
75818	Lenz Electric Mfg. Co.	Chicago, Ill.	83186	Victory Engineering Corp.	Union, N.J.	96341	Microwave Associates, Inc.	Burlington, Mass.
75915	Littelfuse Inc.	Des Plaines, Ill.	83298	Bendix Corp., Red Bank Div.	Red Bank, N.J.	96501	Excel Transformer Co.	Oakland, Calif.
76005	Lord Mfg. Co.	Erie, Pa.	83330	Smith, Herman H., Inc.	Brooklyn, N.Y.	97464	Industrial Retaining Ring Co.	Irvington, N.J.
76210	C. W. Marwedel	San Francisco, Calif.	83501	Gavitt Wire and Cable Co., Div. of Amerace Corp.	Brookfield, Mass.	97539	Automatic and Precision Mfg. Co.	Yonkers, N.Y.
76433	Micamold Electronic Mfg. Corp.	Brooklyn, N.Y.	83594	Burroughs Corp., Electronic Tube Div.	Plainfield, N.J.	97966	CBS Electronics, Div. of C.B.S., Inc.	Denver, Mass.
76487	James Millen Mfg. Co., Inc.	Malden, Mass.	83777	Model Eng. and Mfg., Inc.	Huntington, Ind.	98141	Axel Brothers Inc.	Jamaica, N.Y.
76493	J. W. Miller Co.	Los Angeles, Calif.	83821	Loyd Scruggs Co.	Festus, Mo.	98220	Francis L. Mosley	Pasadena, Calif.
76530	Monadnock Mills	San Leandro, Calif.	84171	Arco Electronics, Inc.	New York, N.Y.	98278	Micradot, Inc.	So. Pasadena, Calif.
76545	Mueller Electric Co.	Cleveland, Ohio	84396	A. J. Glesener Co., Inc.	San Francisco, Calif.	98291	Saelectro Corp.	Mamaroneck, N.Y.
76854	Oak Manufacturing Co.	Crystal Lake, Ill.	84411	Good All Electric Mfg. Co.	Ogallala, Neb.	98405	Carad Corp.	Redwood City, Calif.
77068	Bendix Pacific Division of Bendix Corp.	No. Hollywood, Calif.	84970	Sarkes Tarzian, Inc.	Bloomington, Ind.	98734	Palo Alto Engineering Co., Inc.	Palo Alto, Calif.
77221	Phaoston Instrument and Electronic Co.	South Pasadena, Calif.	85454	Boonton Molding Company	Boonton, N.J.	98821	North Hills Electric Co.	Mineola, N.Y.
77252	Philadelphia Steel and Wire Corp.	Philadelphia, Pa.	85474	R. M. Bracamonte & Co.	San Francisco, Calif.	98925	Clevite Transistor Prod. Div. of Clevite Corp.	Waltham, Mass.
77342	Potter and Brumfield, Div. of American Machine and Foundry	Princeton, Ind.	85660	Koiled Kords, Inc.	New Haven, Conn.	98978	International Electronic Research Corp.	Burbank, Calif.
77630	Radio Condenser Co.	Camden, N.J.	85911	Seamless Rubber Co.	Chicago, Ill.	99109	Columbia Technical Corp.	New York, N.Y.
77638	Radio Receptor Co., Inc.	Brooklyn, N.Y.	86197	Clifton Precision Products	Clifton Heights, Pa.	99313	Varian Associates	Palo Alto, Calif.
77764	Resistance Products Co.	Harrisburg, Pa.	86684	Radio Corp. of America, RCA Electron Tube Div.	Harrison, N.J.	99515	Marshall Industries, Electron Products Division	Pasadena, Calif.
78189	Shakeproof Division of Illinois Tool Works	Elgin, Ill.	87216	Philco Corp. (Lansdale Division)	Lansdale, Pa.	99707	Control Switch Division, Controls Co. of America	El Segundo, Calif.
78283	Signal Indicator Corp.	New York, N.Y.	87473	Western Fibrous Glass Products Co.	San Francisco, Calif.	99800	Delevan Electronics Corp.	East Aurora, N.Y.
78471	Tilley Mfg. Co.	San Francisco, Calif.	88140	Cutler-Hammer, Inc.	Lincoln, Ill.	99848	Wilco Corporation	Indianapolis, Ind.
78488	Stackpole Carbon Co.	St. Marys, Pa.	88220	Gould-National Batteries, Inc.	St. Paul, Minn.	99934	Renbrandt, Inc.	Boston, Mass.
78553	Tinnerman Products, Inc.	Cleveland, Ohio	89473	General Electric Distributing Corp.	Schenectady, N.Y.	99942	Hoffman Semiconductor Div. of Hoffman Electronics Corp.	Evanston, Ill.
78790	Transformer Engineers	Pasadena, Calif.	89636	Carter Parts Div. of Economy Baler Co.	Chicago, Ill.	99957	Technology Instrument Corp. of Calif.	Newbury Park, Calif.
78947	Ucinite Co.	Newtonville, Mass.	89665	United Transformer Co.	Chicago, Ill.			
79142	Veeder Root, Inc.	Hartford, Conn.	90179	U.S. Rubber Co., Mechanical Goods Div.	Passaic, N.J.			
79251	Wenco Mfg. Co.	Chicago, Ill.	90970	Bearing Engineering Co.	San Francisco, Calif.	0000F	Malco Tool and Die	Los Angeles, Calif.
79727	Continental-Wirt Electronics Corp.	Philadelphia, Pa.	91260	Connor Spring Mfg. Co.	San Francisco, Calif.	0000I	Telefunken (c/o American Elite)	New York, N.Y.
79963	Zierick Mfg. Corp.	New Rochelle, N.Y.	91345	Miller Dial & Nameplate Co.	El Monte, Calif.	0000M	Western Coil Div. of Automatic Ind., Inc.	Redwood City, Calif.
80031	Mecco Division of Sessions Clock Co.	Morristown, N.J.	91418	Radio Materials Co.	Chicago, Ill.	0000N	Nahm-Bros. Spring Co.	San Leandro, Calif.
80120	Schnitzer Alloy Products	Elizabeth, N.J.	91506	Augat Brothers, Inc.	Attleboro, Mass.	0000P	Ty-Car Mfg. Co., Inc.	Holliston, Mass.
80130	Times Facsimile Corp.	New York, N.Y.	91637	Dale Electronics, Inc.	Columbus, Nebr.	0000T	Texas Instruments, Inc. Metals and Controls Div.	Versailles, Ky.
80131	Electronic Industries Association Any brand tube meeting EIA standards	Washington, D.C.	91662	Elco Corp.	Philadelphia, Pa.	0000U	Tower Mfg. Corp.	Providence, R.I.
80207	Unimax Switch, Div. of W. L. Maxson Corp.	Wallingford, Conn.	91737	Gremer Mfg. Co., Inc.	Wakefield, Mass.	0000W	Webster Electronics Co. Inc.	New York, N.Y.
80248	Oxford Electric Corp.	Chicago, Ill.	91827	K F Development Co.	Redwood City, Calif.	0000X	Spruce Pine Mica Co.	Spruce Pine, N.C.
80294	Bourns Laboratories, Inc.	Riverside, Calif.	91921	Minneapolis-Honeywell Regulator Co., Micro-Switch Division	Freeport, Ill.	0000Y	Midland Mfg. Co. Inc.	Kansas City, Kans.
80411	Acro Div. of Robertshaw Fulton Controls Co.	Columbus 16, Ohio	92196	Universal Metal Products, Inc.	Bassett Puente, Calif.	0000Z	Willow Leather Products Corp.	Newark, N.J.
80486	All Star Products Inc.	Defiance, Ohio	93332	Sylvania Electric Prod. Inc., Semiconductor Div.	Woburn, Mass.	000AA	British Radio Electronics Ltd.	Washington, D.C.
80583	Hammerlund Co., Inc.	New York, N.Y.	93369	Robbins and Myers, Inc.	New York, N.Y.	000BB	Precision Instrument Components Co.	Van Nuys, Calif.
80640	Stevens, Arnold, Co., Inc.	Boston, Mass.	93410	Stevens Mfg. Co., Inc.	Mansfield, Ohio	000CC	Computer Diode Corp.	Lodi, N.J.
81030	International Instruments, Inc.	New Haven, Conn.	93983	Insuline-Van Norman Ind., Inc. Electronic Division	Manchester, N.H.	000EE	A. Williams Manufacturing Co.	San Jose, Calif.
81312	Winchester Electronics Co., Inc.	Norwalk, Conn.	94144	Raytheon Mfg. Co., Industrial Components Div., Receiving Tube Operation	Quincy, Mass.	000FF	Carmichael Corrugated Specialties	Richmond, Calif.
81415	Wilkor Products, Inc.	Cleveland, Ohio	94145	Raytheon Mfg. Co., Semiconductor Div., California Street Plant	Newton, Mass.	000GG	Goshen Die Cutting Service	Goshen, Ind.
81453	Raytheon Mfg. Co., Industrial Components Div., Industr. Tube Operations	Newton, Mass.	94148	Scientific Radio Products, Inc.	Loveland, Colo.	000HH	Rubbercraft Corp.	Torrance, Calif.
81483	International Rectifier Corp.	El Segundo, Calif.	94154	Tung-Sol Electric, Inc.	Newark, N.J.	000II	Birtcher Corporation, Industrial Division	Monterey Park, Calif.
81860	Barry Controls, Inc.	Watertown, Mass.	94197	Curtiss-Wright Corp., Electronics Div.	East Paterson, N.J.	000KK	Amatom	New Rochelle, N.Y.
82042	Carter Parts Co.	Skokie, Ill.	94310	Tru Ohm Prod. Div. of Model Engineering and Mfg. Co.	Chicago, Ill.	000LL	Avery Label	Monrovia, Calif.
82142	Jeffers Electronics Division of Spear Carbon Co.	Du Bois, Pa.	94682	Worcester Pressed Aluminum Corp.	Worcester, Mass.	000MM	Rubber Eng. & Development	Hayward, Calif.
82170	Allen B. DuMont Labs., Inc.	Clifton, N.J.	95236	Allies Products Corp.	Miami, Fla.	000NN	"N" D Manufacturing Co.	San Jose 27, Calif.
82209	Maguire Industries, Inc.	Greenwich, Conn.	95238	Continental Connector Corp.	Woodside, N.Y.	000PP	Atohm Electronics,	Sun Valley, Calif.
82219	Sylvania Electric Prod. Inc., Electronic Tube Div.	Emporium, Pa.				000QQ	Cooltron	Oakland, Calif.
82376	Astron Co.	East Newark, N.J.						

THE FOLLOWING H-P VENDORS HAVE NO NUMBER ASSIGNED IN THE LATEST SUPPLEMENT TO THE FEDERAL SUPPLY CODE FOR MANUFACTURERS HANDBOOK.

0000F	Malco Tool and Die	Los Angeles, Calif.
0000I	Telefunken (c/o American Elite)	New York, N.Y.
0000M	Western Coil Div. of Automatic Ind., Inc.	Redwood City, Calif.
0000N	Nahm-Bros. Spring Co.	San Leandro, Calif.
0000P	Ty-Car Mfg. Co., Inc.	Holliston, Mass.
0000T	Texas Instruments, Inc. Metals and Controls Div.	Versailles, Ky.
0000U	Tower Mfg. Corp.	Providence, R.I.
0000W	Webster Electronics Co. Inc.	New York, N.Y.
0000X	Spruce Pine Mica Co.	Spruce Pine, N.C.
0000Y	Midland Mfg. Co. Inc.	Kansas City, Kans.
0000Z	Willow Leather Products Corp.	Newark, N.J.
000AA	British Radio Electronics Ltd.	Washington, D.C.
000BB	Precision Instrument Components Co.	Van Nuys, Calif.
000CC	Computer Diode Corp.	Lodi, N.J.
000EE	A. Williams Manufacturing Co.	San Jose, Calif.
000FF	Carmichael Corrugated Specialties	Richmond, Calif.
000GG	Goshen Die Cutting Service	Goshen, Ind.
000HH	Rubbercraft Corp.	Torrance, Calif.
000II	Birtcher Corporation, Industrial Division	Monterey Park, Calif.
000KK	Amatom	New Rochelle, N.Y.
000LL	Avery Label	Monrovia, Calif.
000MM	Rubber Eng. & Development	Hayward, Calif.
000NN	"N" D Manufacturing Co.	San Jose 27, Calif.
000PP	Atohm Electronics,	Sun Valley, Calif.
000QQ	Cooltron	Oakland, Calif.

From: F.S.C. Handbook Supplements
H4-1 Dated: April 1962
H4-2 Dated: March 1962

00015-25
Revised: 25 May 1962

Circuit Reference Number	Description	Quantity	Mfg. Part # or Type	Mfg.	Mfg. Code *	Corporate Part #	A
C1	fxd, elect 4.7 μ f 50VDC	1	150D475X9050B2	Sprague	56289	0180-1731	2
C2, 18	fxd, film .01 μ f 200VDC	2	192P10392	Sprague	56289	0160-0161	4
C3	fxd, film 0.1 μ f 200VDC	1	192P10492	Sprague	56289	0160-0168	2
C4, 6, 7, 8, 11, 15	Not Assigned	-					
C5	fxd, film .001 μ f 200VDC	1	192P10292	Sprague	56289	0160-0153	2
C9	fxd, elect 4.7 μ f 35VDC	1	150D475X9035B2	Sprague	56289	0180-0100	
C10	fxd, elect 100 μ f 50VDC	1	D33218	Sprague	56289		2
C12, 13, 14	fxd, elect 490 μ f 75VDC	3	D38618	Sprague	56289		4
C16A	fxd, cer. .05 μ f 500VDC	1	33C58	Sprague	56289		2
C16B, 17	Not Used	-					
C19	fxd, elect 15 μ f 50VDC	1	150D156X0050R2	Sprague	56289		2
C20	fxd, elect 80 μ f 300VDC	1	D39041	Sprague	56289		2
CR1-5, 20, 30, 32	Rect, sil. 200ma 180PRV	8	1N485B	Sylv.	93332	1901-0033	10
CR6, 7, 10, 12-16, 18, 19, 21, 33	Not Assigned	-					
CR8, 9, 31, 35	Diode, sil. 2.4V @ 100ma	4	GD8-001	GI	11711	1901-0460	6
CR11, 17, 22, 23, 24, 25, 26, 27, 28, 29, 34	Rect. sil. 500ma 200PRV	11	1N3253	RCA	02735	1901-0026	15
DS1	Indicator lamp, neon	1	858-R	Sloan	08717	1450-0048	2
F1	Fuse cartridge 2A @ 250V 3AG	1	312002	Littelfuse	75915		3
J1, 2	Not Used						

Circuit Reference Number	Description	Quantity	Mfg. Part # or Type	Mfg.	Mfg. Code*	Corporate Part #	A
Q1, 2	SS NPN Diff Amp, Sil.	2	4JX12A839	GE	03508		4
Q3, 5, 8, 10, 12, 14, 15	SS PNP Sil.	7	2N3702	TI	01295	1853-0029	14
Q4	SS PNP Sil.	1	SJ203	HLAB	09182	1853-0040	2
Q6, 7	Power NPN Sil.	2	36616	HLAB	09182		4
Q9	SS NPN Sil.	1	2N3417	GE	03508	1854-0087	2
Q11, 13, 17	SS NPN Sil.	3	2N3391	GE	03508	1854-0071	4
Q16	Not Assigned	-					
R1	fxd, WW 1K ohm $\pm 5\%$ 3w 20ppm	1	242E1025	Sprague	56289		2
R2, 22, 23, 29	fxd, film 6.2K ohm $\pm 1\%$ 1/8w	4		IRC	07716		6
R3	fxd, film 15K ohm $\pm 1\%$ 1/8w	1		IRC	07716	0757-0446	2
R4, 64, 65	fxd, film 20K ohm $\pm 1\%$ 1/8w	3		IRC	07716	0757--0449	4
R5, 26, 76, 77	fxd, film 1.5K ohm $\pm 1\%$ 1/8w	4		IRC	07716	0757-0427	8
R6, 25	fxd, comp 360K ohm $\pm 5\%$ 1/2w	2		AB	01121	0686-3645	
R7	fxd, film 61.9K ohm $\pm 1\%$ 1/8w	1		IRC	07716	0757-0460	2
R8, 28	fxd, comp 560K ohm $\pm 5\%$ 1/2w	2		AB	01121	0686-5645	
R9, 11, 35, 36, 39, 40, 53, 79, 81, 82, 83, 37	Not Assigned	-					
R10	Var. WW DUAL 10K ohm - 100 ohm	1	100149-4	HLAB	09182	2100-0997	2
R12	fxd, WW 1,3K ohm $\pm 5\%$ 3w 20ppm	1	242E1325	Sprague	56289		2
R13, 19	fxd, comp SELECTED $\pm 5\%$ 1/2w	2		AB	01121		
R14	fxd, comp 3.3 ohm $\pm 5\%$ 1/2w	1		AB	01121	0686-0335	
R15, 17	fxd, comp 160K ohm $\pm 5\%$ 1/2w	2		AB	01121	0686-1645	
R16	Var. WW DUAL 900-10 ohms	1	100149-1	HLAB	09182	2100-0994	2
R18	fxd, WW 3.3K ohm $\pm 5\%$ 3w 20ppm	1	242E3325	Sprague	56289		2
R20, 48	fxd, film 1K ohm $\pm 5\%$ 1/4w	2		IRC	07716	0757-0338	4
R21	fxd, comp 39 ohm $\pm 5\%$ 1/2w	1		AB	01121	0686-3905	

6-4
6200B

6-5
6200B

Circuit Reference Number	Description	Quantity	Mfg. Part # or Type	Mfg. Mfg.	Mfg. Code*	Corporate Part #	A
R24	fxd, film 4.75K ohm ±1% 1/8w	1		IRC	07716	0757-0437	2
R27, 32	fxd, WW .51 ohm ±5%	2	Type BWH	IRC	07716		4
R30	Var. WW 5K ohm (Modify)	1	Type 110-F4	CTS	11236		2
R31	fxd, comp 1K ohm ±5% 1/2w	1		AB	01121	0686-1025	
R33, 38	fxd, comp 10K ohm ±5% 1/2w	2		AB	01121	0686-1035	
R34	fxd, comp 150 ohm ±5% 1/2w	1		AB	01121	0686-1515	
R80	fxd, comp 33K ohm ±5% 1/2w	1		AB	01121	0686-3335	
R41	fxd, comp 12K ohm ±5% 1/2w	1		AB	01121	0686-1235	
R42	fxd, comp 6.8K ohm ±5% 1/2w	1		AB	01121	0686-6825	
R43	fxd, film 470 ohm ±1% 1/4w	1		IRC	07716		2
R44	fxd, comp 47K ohm ±5% 1/2w	1		AB	01121	0686-4735	
R45	fxd, comp 5.1K ohm ±5% 1/2w	1		AB	01121	0686-5125	
R46	fxd, comp 100K ohm ±5% 1/2w	1		AB	01121	0686-1045	
R47	fxd, comp 430 ohm ±5% 1/2w	1		AB	01121	0686-4315	
R49	fxd, WW 1.5K ohm ±5% 5w	1	Type 5XM	WL	63743		2
R50	fxd, comp 10 ohm ±5% 1/2w	1		AB	01121	0686-1005	
R51	fxd, comp 30K ohm ±5% 1/2w	1		AB	01121	0686-3035	
R52	fxd, comp 22K ohm ±5% 1/2w	1		AB	01121	0686-2235	
R54, 55	fxd, WW 2 ohm ±1% 12.5w 20ppm	2	Type 12.5SX	WL	63743		4
R56	Var. WW 1K ohm (Modify)	1	Type 110-F4	CTS	11236		2
R57, 60	fxd, film 900 ohm ±1% 1/8w	2		IRC	07716	0757-1099	4
R58, 59	fxd, film 100 ohm ±1% 1/8w	2		IRC	07716	0757-0401	4
R61	fxd, film 47.5K ohm ±1% 1/8w	1		IRC	07716	0757-0457	2
R62	fxd, comp 300 ohm ±5% 1/2w	1		AB	01121	0686-3015	
R63	Var. WW 10K ohm (Modify)	1	Type 110-F4	CTS	11236		2
R66, 67	fxd, film 3.40K ohm ±1% 1/4w	2		IRC	07716		4
R68, 69	fxd, film 365 ohm ±1% 1/4w	2		IRC	07716	0757-0723	4
R70, 71, 75, 84, 85, 86	fxd, film 3K ohm ±1% 1/8w	6		IRC	07716	0757-1093	6
R72	Var. WW 250 ohm (Modify)	1	Type 110-F4	CTS	11236		2
R73	fxd, film 750 ohm ±1% 1/8w	1		IRC	07716	0757-0420	2

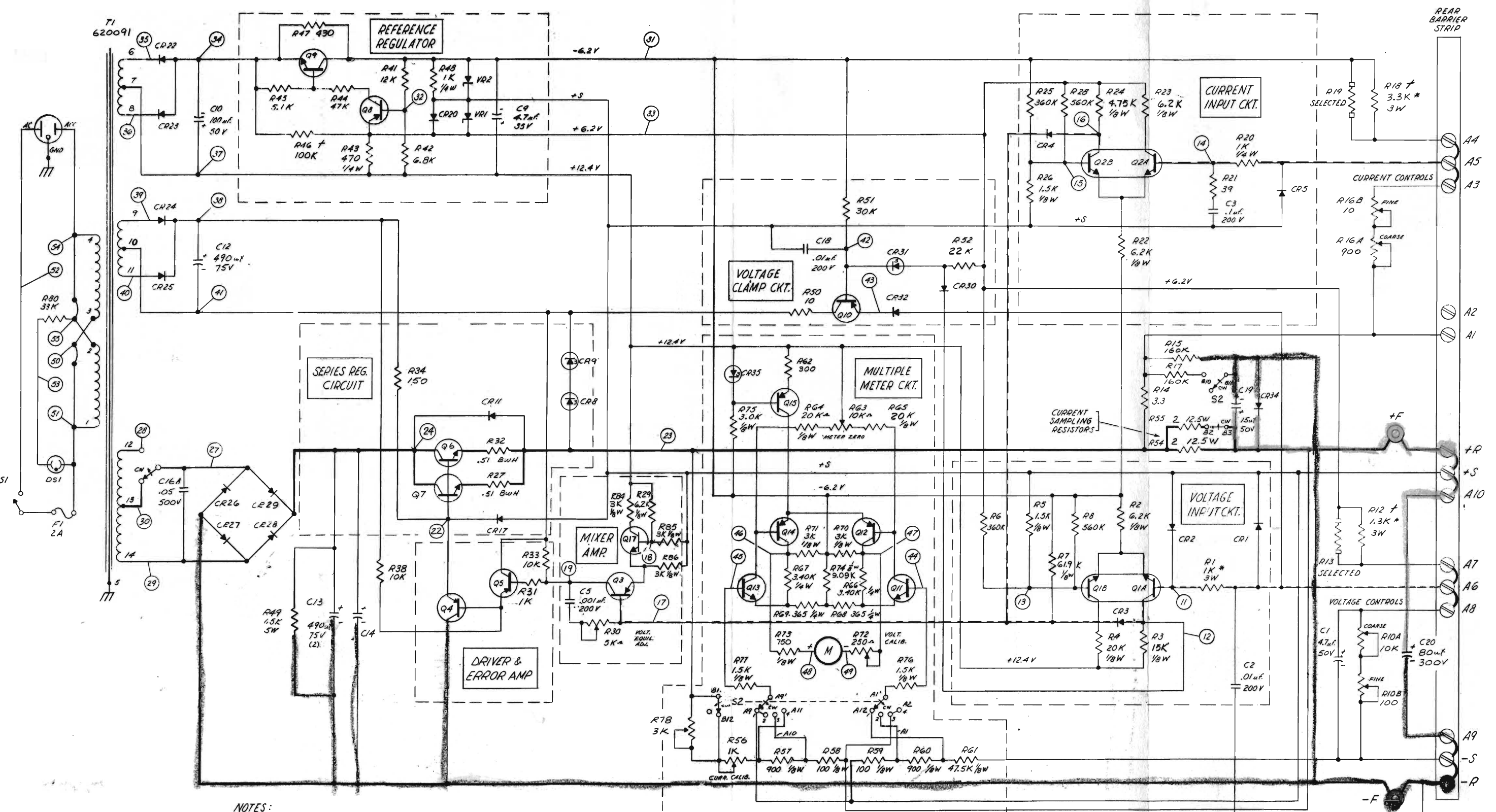
Circuit Reference Number	Description	Quantity	Mfg. Part # or Type	Mfg.	Mfg. Code *	Corporate Part #	A
R74	fxd, film 9.09K ohm ±1% 1/8w	1		IRC	07716	0757-0288	2
R78	Var. WW 3K ohm (Modify)	1	Type 110-F4	CTS	11236		2
S1	Switch SPST ON/OFF	1	T110-62	Carling	73559		1
S2	Meter, range rotary Switch (Concentric Shafts)	1	100319-A	HLAB	09182		1
T1	Power Transformer	1	620091	HLAB	09182		
VR1,2	Diode, zener 6.2V	2	1N821	NA. Elect.	06486	1902-0761	4
	5 Way binding post	1	DF21RC	Superior	58474		2
	5 Way binding post	2	DF21BC	Superior	58474		4
	Line Cord plug PH151 7-1/2 ft.	1	HK-4701	Beldon	70903		2
	Strain relief bushing	1	SR-5P-1	Heyco	28520		2
	Jumper	8	422-13-11013	Cinch	71785		10
	Barrier Strip	1	100237-15	HLAB	09182		2
	Rubber Bumper	4	MB50-701	Stockwell	87575		4
	Rubber Bumper	3	4072	Stockwell	87575		3
	Knob 1/4 insert pointer	1		HLAB	09182	0370-0107	2
	Knob 17/64 insert pointer	2		HLAB	09182	0370-0101	4
	Knob, bar 1/8 insert pointer	1		HLAB	09182	0370-0102	2
	Knob 3/16 insert	2		HLAB	09182	0370-0179	4
	Bezel 1/6 Mod.	1		HLAB	09182	5040-0651	1
	Fuse holder	1	342014	Littelfuse	75915	1400-0048	2
	Meter ϕ 1/6 Mod. 1ma@88 ohm ±15%	1		HLAB	09182	1120-1139	1
	Spring	4		HLAB	09182	1460-0256	8
	Fastner	8	C8091632-4	Tinnerman	89032		12

6200B
6-6

Circuit Reference		Quantity	Mfg. Part #		Mfg. Code *	Corporate Part #	A
Number	Description		or Type	Mfg.			
	Mica Insulator	2	734	Reliance	08530		2
	Insulator, transistor pin	4	100146-1	HLAB	09182		4
	Insulator	4	100151-1	HLAB	09182		4

A = Recommended Spares Per 10 Units For One Year

* = As Listed In Federal Supply Code for Manufacturers' H4-1.



NOTES:

1. ALL RESISTORS ARE 1/2 WATT, 5% UNLESS OTHERWISE NOTED.
2. ALL 1/8 W AND 1/4 W RESISTORS ARE 1% IN TOLERANCE.
3. † DENOTES NOMINAL VALUE, COMPONENTS SELECTED FOR OPTIMUM PERFORMANCE.
4. * DENOTES 20 PPM WIDE TEMPERATURE COEFFICIENT.
5. REAR TERMINALS ARE SHOWN IN NORMAL STRAPPING FOR USE OF FRONT PANEL CONTROLS.
6. --- DENOTES VOLTAGE SIGNAL.
7. ——— DENOTES CURRENT SIGNAL.
8. R10A & B AND R16A & B ARE DUAL SHAFT FRONT PANEL CONTROLS.
9. TRANSFORMER SHOWN STRAPPED FOR 115 VAC OPERATION. SEE INSTRUCTION MANUAL FOR 200-VOLTS.

S2 POSITIONS

- 1 — 5V
- 2 — 50V
- 3 — .18A
- 4 — .18A

CIRCUIT PATENTS APPLIED FOR. LICENSE TO USE MUST BE OBTAINED IN WRITING FROM HARRISON LABORATORIES.

FILE 6200B SCHEMATIC 5-15-56 8025	FILE
	6200B SCHEMATIC
	FOR 0-10V @ .75A DVM, AND 0-20V @ 1.5A 6200C
	HARRISON LABORATORIES NEW YORK, N.Y.

HEWLETT-PACKARD SALES AND SERVICE OFFICES in the United States and Canada

ALABAMA

Huntsville, 35802
2003 Byrd Spring Rd. S.W.
(205) 881-4591
TWX: 510-579-2204

ALASKA

Bellevue, Wash. 98004
11656 N.E. 8th Street
(206) 454-3971
TWX: 910-443-2303

ARIZONA

Scottsdale, 85251
3009 No. Scottsdale Rd.
(602) 945-7601
TWX: 602-949-0111

Tucson, 85716
232 So. Tucson Blvd.
(602) 623-2564
TWX: 602-792-2759

CALIFORNIA

North Hollywood, 91604
3939 Lankershim Blvd.
(213) 877-1282 and 766-3811
TWX: 910-499-2170

Sacramento, 95821
2591 Carlsbad Ave.
(916) 482-1463
TWX: 916-444-8683

San Diego, 92106
1055 Shafter Street
(714) 223-8103
TWX: 714-276-4263

Palo Alto, 94303
1101 Embarcadero Rd.
(415) 327-6500
TWX: 910-373-1280

COLORADO

Englewood, 80110
7965 East Prentice
(303) 771-3455
TWX: 303-771-3056

CONNECTICUT

Middletown, 06458
589 Saybrook Rd.
(203) 346-6611
TWX: 710-428-2036

FLORIDA

Miami, 33125
2907 Northwest 7th St.
(305) 635-6461

Orlando, 32803
621 Commonwealth Ave.
(305) 425-5541
TWX: 305-275-1234

St. Petersburg, 33708
410-150th Ave., Madeira Beach
(813) 391-0211
TWX: 813-391-0666

GEORGIA

Atlanta, 30305
3110 Maple Drive, N.E.
(404) 233-1141
TWX: 810-751-3283

HAWAII

North Hollywood, Calif. 91604
3939 Lankershim Blvd.
(213) 877-1282 and 766-3811
TWX: 910-499-2170

ILLINOIS

Skokie, 60078
5500 Howard Street
(312) 677-0400
TWX: 910-223-3613

INDIANA

Indianapolis, 46205
3919 Meadows Dr.
(317) 546-4891
TWX: 317-635-4300

LOUISIANA

New Orleans
(504) 522-4359

MARYLAND

Baltimore, 21207
6660 Security Blvd.
(301) 944-5400

Rockville, 20852
12303 Twinbrook Pkwy.
(301) 427-7560
TWX: 710-828-9684

MASSACHUSETTS

Burlington, 01804
Middlesex Turnpike
(617) 272-9000
TWX: 710-332-0382

MICHIGAN

Southfield, 48076
24315 Northwestern Hwy.
(313) 353-9100
TWX: 313-357-4425

MINNESOTA

St. Paul, 55114
2459 University Ave.
(612) 646-7881
TWX: 910-563-3734

MISSOURI

Kansas City, 64131
7916 Paseo Street
(816) 444-9494
TWX: 816-556-2423

St. Louis, 63144
2814 South Brentwood Blvd.
(314) 647-4350
TWX: 314-962-3933

NEW JERSEY

Eatontown
(201) 542-0852
Englewood, 07631
391 Grand Avenue
(201) 567-3933

NEW MEXICO

Albuquerque, 87108
6501 Lomas Blvd., N.E.
(505) 255-5586
TWX: 910-989-1655
Las Cruces, 88001
114 S. Water Street
(505) 526-2486
TWX: 505-524-2671

NEW YORK

New York, 10021
236 East 75th Street
(212) 879-2023
TWX: 710-581-4376

Rochester, 14623
39 Saginaw Drive
(716) 473-9500
TWX: 510-253-5981

Poughkeepsie, 12601
82 Washington Street
(914) 454-7330
TWX: 914-452-7425

Syracuse, 13211
5858 East Molloy Rd.
(315) 454-2486
TWX: 710-541-0482

Endicott, 13764
1219 Campville Rd.
(607) 754-0050
TWX: 510-252-0890

NORTH CAROLINA

High Point, 27262
1923 N. Main Street
(919) 882-6873
TWX: 510-926-1516

OHIO

Cleveland, 44129
5579 Pearl Road
(216) 884-9209
TWX: 216-888-0715

Dayton, 45409
1250 W. Dorothy Lane
(513) 298-0351
TWX: 513-944-0090

OKLAHOMA

Oklahoma City
(405) 235-7062

PENNSYLVANIA

Camp Hill
(717) 737-6791
West Conshohocken, 19428
144 Elizabeth Street
(215) 248-1600 and 828-6200
TWX: 215-828-3847

Monroeville, 15146
2545 Moss Side Blvd.
(412) 271-5227
TWX: 710-797-3650

TEXAS

Dallas, 75209
P.O. Box 7166, 3605 Inwood Rd.
(214) 357-1881 and 332-6667
TWX: 910-861-4081

Houston, 77027
P.O. Box 22813, 4242 Richmond Ave.
(713) 667-2407
TWX: 713-571-1353

UTAH

Salt Lake City, 84115
1482 Major St.
(801) 486-8166
TWX: 801-521-2604

VIRGINIA

Richmond, 23230
2112 Spencer Road
(703) 282-5451
TWX: 710-956-0157

WASHINGTON

Bellevue, 98004
11656 N. E. 8th St.
(206) 454-3971
TWX: 910-443-2303

GOVERNMENT CONTRACTING OFFICES

Middletown, Pa. 17057
Hewlett-Packard
Contract Marketing Division
Olmsted Plaza
(717) 944-7401
TWX: 717-760-4816

West Conshohocken, Pa. 19428
Hewlett-Packard
Contract Marketing Division
144 Elizabeth Street
(215) 753-1811
TWX: 215-820-3847

CANADA

Montreal, Quebec
Hewlett-Packard (Canada) Ltd.
8270 Mayrand Street
(514) 735-2273
TWX: 610-421-3484

Ottawa, Ontario
Hewlett-Packard (Canada) Ltd.
1762 Carling Avenue
(613) 722-4223
TWX: 610-562-1952

Toronto, Ontario
Hewlett-Packard (Canada) Ltd.
1415 Lawrence Avenue West
(416) 249-9196
TWX: 610-492-2382

Vancouver, B.C.
Hewlett-Packard (Canada) Ltd.
2184 W. Broadway
(604) 738-7520
TWX: 610-922-5059

HEWLETT-PACKARD INTERNATIONAL OFFICES

Electronic Instrument Sales and Service

ARGENTINA

Mauricio A. Saurez
Telecomunicaciones
Carlos Calvo 224, Buenos Aires
Tel: 30-6312

AUSTRALIA

Sample Electronics (Vic.) Pty. Ltd.
9-11 Cremorne Street
Richmond E. 1, Victoria
Tel: 42-4757 (3 lines)
Sample Electronics (N.S.W.) Pty. Ltd.
4 Grose Street, Glebe, N.S.W.
Tel: 69-6338 (6 lines)

AUSTRIA

UNILABOR H.m.b.H.
Wissenschaftliche Instrumente
Rummelhardtgasse 6/3
P.O. Box 33, Vienna IX/71
Tel: 42 61 81

BELGIUM

Hewlett-Packard Benelux
20-24 Rue de l'Hopital, Brussels 1
Tel: 11.22.20

BRAZIL

Ciental Importacao e Comercio Ltda.
R. Des Eliseu Guilherme, 62
Sao Paulo 6
Tel: 32-4332

CHILE

Hector Calcagni
Casilla 13942, Santiago
Tel: 6.42.26

COLOMBIA

Instrumentacion Henrik A. Langebeck
& Cia. Ltda.
Apartado Aereo 6287
Bogota 1, D.E.
Tel: 45-78-06
Cable: AARIS - Bogota

DENMARK

Tage Olsen A/S
Ronnegade 1, Copenhagen O
Tel: 29.48.00

FINLAND

INTO O/Y
P.O. Box 153
11 Meritulinkatu, Helsinki
Tel: 6.11.33

FRANCE

Hewlett-Packard France
150 Blvd. Massena, Paris 13e
Tel: 707.97.19

GERMANY

Hewlett-Packard VgmbH
Steindamm 35, Hamburg 1
Tel: 24.05.51

Hewlett-Packard VgmbH
Kurhessenstrasse 95
Frankfurt a. Main
Tel: 52.00.36

Hewlett-Packard VgmbH
Reginfriedstrasse 13
Munich 9
Tel: 49.51.21/2

Hewlett-Packard VgmbH
Technisches Buro
Herrenbergerstrasse 110
703 Boblingen, Wurttemberg
Tel: 6971

Hewlett-Packard VgmbH
Lietzenburger Strasse 30
1000 Berlin 30
Tel: 24 92 71

GREECE

K. Karayannis
Klaffmonos Square, Athens 124
Tel: 230.301

INDIA

The Scientific Instrument Company, Ltd.
6, Tej Bahadur Sapru Road, Allahabad 1
Tel: 2451

The Scientific Instrument Company, Ltd.
240, Dr. Dadabhai Naoroji Rd., Bombay 1
Tel: 26-2642

The Scientific Instrument Company, Ltd.
11, Esplanade East, Calcutta 1
Tel: 23-4129

The Scientific Instrument Company, Ltd.
30, Mount Road, Madras 2
Tel: 86339

The Scientific Instrument Company, Ltd.
B-7, Ajmeri Gate Extn., New Delhi 1
Tel: 271053

IRAN

Telecom Ltd.
P.O. Box 1812, Tehran
Tel: 43850

ISRAEL

Electronics & Engineering Ltd.
16 Kremenetski St., Tel Aviv
Tel: 35021-2-3

ITALY

Hewlett-Packard Italiana S.p.A.
Viale Lunigiana 46, Milan
Tel: 69.15.84/5/6

Hewlett-Packard Italiana S.p.A.
Palazzo Italia
Piazza Marconi, 25, Roma-Eur
Tel: 59.12.544/5

JAPAN

Yokogawa-Hewlett-Packard Ltd.
2270 Ishikawa-cho
Hachioji, Tokyo
Tel: Hachioji 0426-3-1231 (19 lines)

Yokogawa-Hewlett-Packard Ltd.
No. 3, 6-chome, Aoyama-Kitamachi
Akasaka, Minato-ku, Tokyo
Tel: 403-6511

Yokogawa-Hewlett-Packard Ltd.
No. 8, Umeda, Kita-ku, Osaka
Tel: 313-0091

Yokogawa-Hewlett-Packard Ltd.
No. 4, 3-chome, Himeikedori,
Chigusa-ku, Nagoya
Tel: 751-8545

KOREA

American Trading Company, Korea, Ltd.
112-35 Sokong-Dong, Jung-ku
Seoul P.O. Box 1103, Seoul
Tel: 3-7049, 3-7613

NETHERLANDS

Hewlett-Packard Benelux N.V.
23 Burg Roelstraat, Amsterdam W.
Tel: (020) 13.28.98 and 13.54.99

NEW ZEALAND

Sample Electronics (N. Z.) Ltd.
8 Matipo Street
Onehunga S. E. 5, Auckland
Tel: 565-361

NORWAY

Morgenstjerne & Co. A/S
Ingeniørfirma
6 Wessels Gate, Oslo
Tel: 20 16 35

PANAMA

Electronic Balboa, S.A.
P.O. Box 4929
Panama City 5, Panama
Tel: 3-0833

PERU

Fernando Ezeta B.
Casilla 3061
Lima
Tel: 78745

PORTUGAL

TELECTRA
Rua Rodrigo da Fonseca 103
P.O. Box 2531, Lisbon 1
Tel: 68 60 72 and 68 60 73 and 68 60 74

PUERTO RICO & VIRGIN ISLANDS

San Juan Electronics, Inc.
150 Ponce de Leon, Stop 3
P.O. Box 5167
Pta. de Tierra Sta., San Juan 00906
Tel: 725-3342, 724-4406

SPAIN

ATAIO, Ingenieros
Enrique Larreta 12, Madrid 6
Tel: 235.43.44 and 235.43.45

SOUTH AFRICA

F. H. Flanter & Co. (Pty.), Ltd.
Rosella House
Buitencingle Street, Cape Town
Tel: 3-3817

SWEDEN

H-P Instrument AB
Centralvagen 28, Solna, Centrum
Tel: 83.08.30

H-P Instrument AB
Idunagatan 28A
Goteborg
Tel: 27 68 00 and 27 68 01

SWITZERLAND

Max Paul Frey
Wankdorffeldstrasse 66, Berne
Tel: (031) 42.00.78

TAIWAN (FORMOSA)

Hwa Sheng Electronic Co., Ltd.
21 Nanking West Road, Taipei
Tel: 4 6076, 4 5936

TURKEY

TELEKOM Engineering Bureau
P.O. Box 376—Galata, Istanbul
Tel: 49.40.40

UNITED KINGDOM

Hewlett-Packard Ltd.
Dallas Rd., Bedford, England
Tel: Bedford 68052

VENEZUELA

Citec, C. A.
Edif. Arisan-Of =4
Avda. Francisco de Miranda-Chacaito
Apartado del Este 10.837, Caracas
Tel: 71.88.05

YUGOSLAVIA

Belram S.A.
83 Avenue des Mimosas
Brussels 15, Belgium
Tel: 35.29.58

For Sales and Service Assistance in Areas Not Listed Contact:

IN EUROPE

Hewlett-Packard, S. A.
54 Route des Acacias
Geneva, Switzerland
Telephone: (022) 42.81.50
Telex: 2.24.86
Cable: HEWPACKSA

IN LATIN AMERICA

Hewlett-Packard Inter-Americas
1501 Page Mill Road
Palo Alto, California 94304, U.S.A.
Telephone: (415) 326-7000
TWX: 910-373-1267
Telex: 033811 Cable: HEWPACK

ELSEWHERE

Hewlett-Packard
Overseas Sales Department
1501 Page Mill Road
Palo Alto, California 94304, U.S.A.
Telephone: (415) 326-7000
TWX: 910-373-1267
Telex: 033811 Cable: HEWPACK

MANUAL CHANGES

DC POWER SUPPLY

Model 6200B

Manual Manufacturing Code 6A

Check each change listed below to determine whether it applies to the serial number on your power supply. If it does apply, enter the appropriate change(s) in the supporting manual.

CHANGE 1. This change updates the manuals for units with serial numbers starting from 6A0101.

1. In the replaceable parts table, make the following changes;

CR35: Delete reference number from first column and change quantity from "4" to "3".

R40, 62: Add R40 with R62 and change to read as follows:

<u>Ckt. Ref. No.</u>	<u>Description</u>	<u>Quantity</u>
R40, 62	fxd, film 619 ohms $\pm 1\%$, 1/4w	2

2. On the schematic, delete CR35 (connected to base of Q15) and connect R40 (619 ohms) in its place.

CHANGE 2. This change updates the manuals for units with serial numbers starting from 6A0251.

1. In the replaceable parts table, make the following changes;

CR26, 27, 28, 29: Delete present references from first column and change quantity from "11" to "7". Enter separately in table as follows:

<u>Ckt. Ref. No.</u>	<u>Description</u>	<u>Quantity</u>	<u>Mfg. Part #</u>	<u>Mfg.</u>
CR26, 27, 28, 29	Rect. sil 500ma, 200prv	4	G100D	GI

R54, 55: Change tolerance from " $\pm 1\%$ " to " $\pm 0.5\%$ ", wattage from "12.5w" to "8w", and "type" from "12.5SX" to "T-7A".

MANUAL CHANGES
DC POWER SUPPLY

This change affects Models 6200B, 6201B, 6202B, 6203B, 6204B, and 6206B.

CAUTION

It has been determined that certain special modes of operation may cause specific components within the power supplies listed above to exceed their ratings. Although there is no record of failure as a result of these special modes of operation, we are issuing this notice as a precautionary measure.

The only modes of operation which may under certain combinations of operating conditions place a strain on specific components within the power supply are:

1. Parallel Operation. However, use of Auto-Parallel operation is not restricted and will not result in any unusual component strain. Moreover, Auto-Parallel operation insures equal current sharing and is preferable to ordinary parallel operation in any case.
2. Battery Charge or Discharge -- under the condition that the battery voltage is greater than the front panel voltage control setting of the power supply.
3. Use of the power supply as a sink rather than a source, without the addition of a suitable preload resistor.

The above modes of operation result in an extra strain being placed on the "suck-down" transistor Q4, which has been included in the circuitry for the purpose of enhancing down-programming speed (of the order of 1 MS using a reducing value of output capacitors).

If the power supply is to be used in any of the above modes of operation, a diode may be added in series with the negative output terminal to prevent current from flowing backwards into the power supply and through transistor Q4. Negative sensing can be connected around this diode to retain normal regulation properties. A simple method of making this connection directly on the rear barrier strip is to remove strapping between terminals A9, -S, and "-", and then connect diode CR₅ as shown on the sketch on the following page.

It is not recommended that this diode be added unless the supply will be used in one of the three modes of operation above, which would normally result in an external source forcing current backwards through the power supply terminals and through Q4. The addition of this diode has the disadvantage of degrading transient recovery and output impedance at high frequencies.

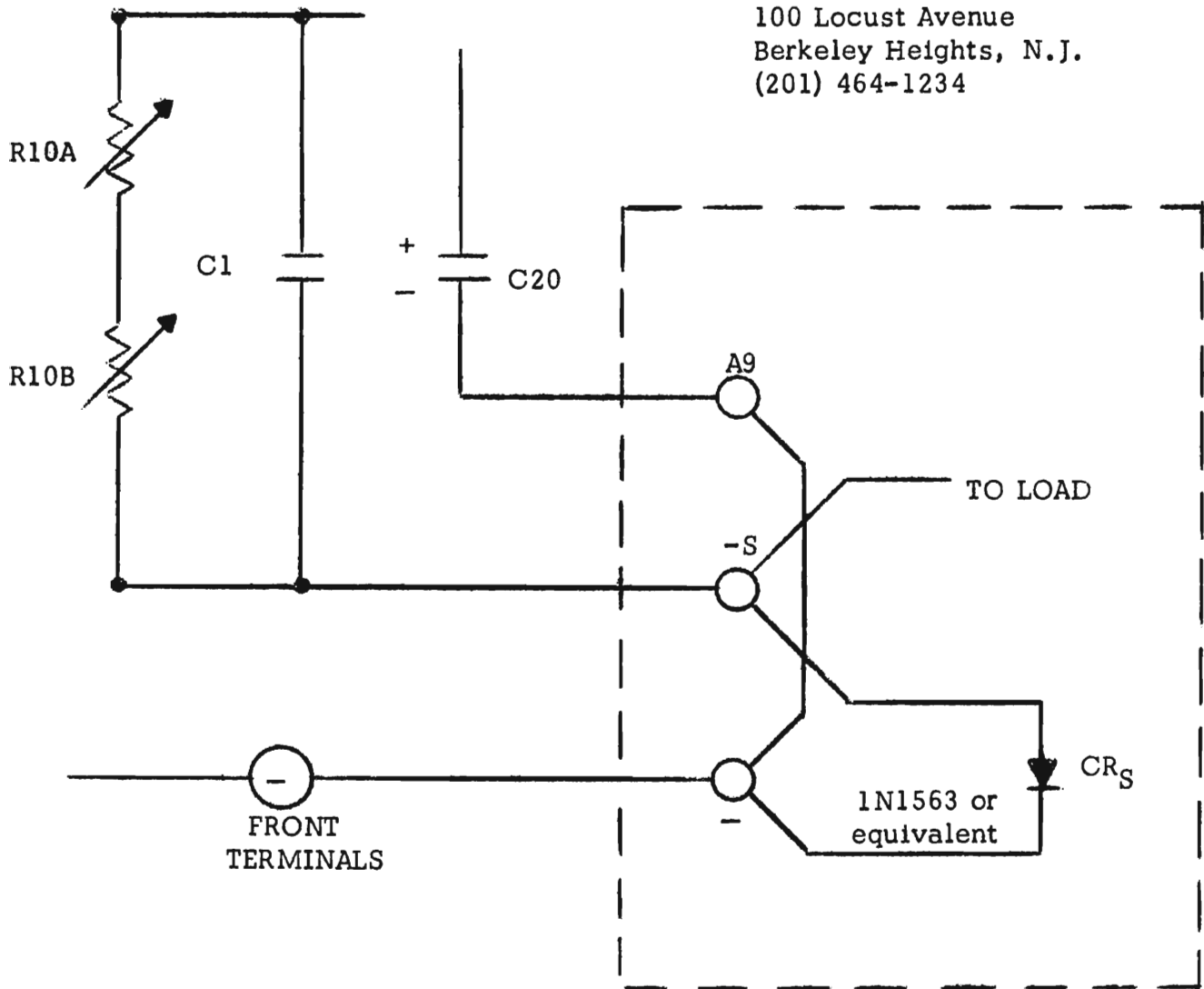
Future production units will include a modification which will permit normal operation of the supply for all modes without an external diode.

We wish to emphasize the fact that we have no record of failure in the above modes -- we are merely issuing this as a precautionary measure, since we feel that "suck-down" transistor failure is possible under certain extremes of operation.

Caution
4/15/66
Page 2

Do not hesitate to contact the factory if there are any questions concerning ways in which Models 6200B, 6201B, 6202B, 6203B, 6204B, and 6206B can be adapted to these special modes of operation listed on the previous page.

Hewlett-Packard Company
Harrison Division
100 Locust Avenue
Berkeley Heights, N.J.
(201) 464-1234



MODIFICATION TO MODELS 6200B, 6201B, 6202B, 6203B, 6204B, and 6206B
TO PERMIT OPERATION INTO A VOLTAGE SOURCE GREATER THAN E_0 OF POWER
SUPPLY

Do not use front terminals with this diode modification or with any of the
three operating modes listed on previous page.

HEWLETT
PACKARD  HARRISON
DIVISION